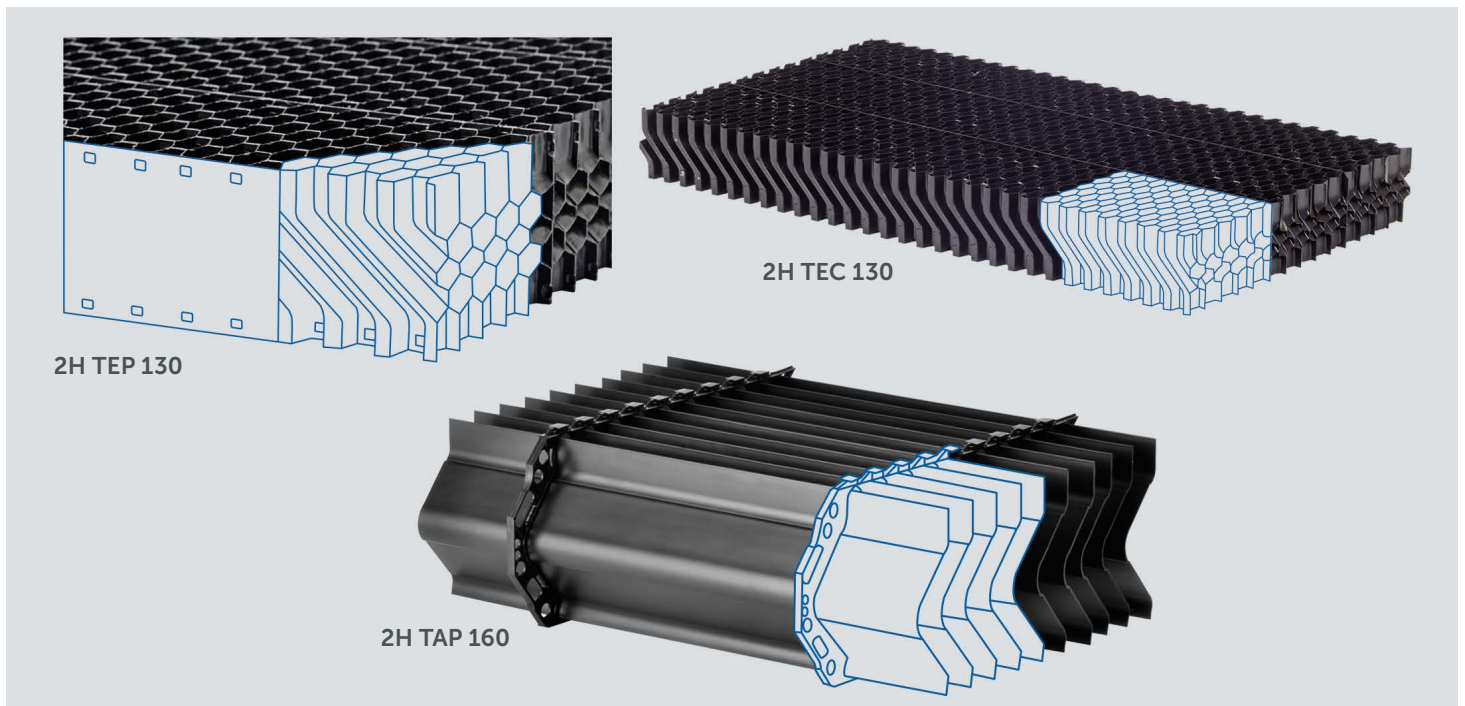


2H DRIFT ELIMINATORS

Reduction of water loss and emissions



Modern re-cooling systems need to consider aspects of the environment and sustainability. For cooling towers this means it is important to reduce the loss of water and emissions. Therefore drift eliminators are used.

They are installed above the water distribution and cooling fills and catch the water drops that are carried with the air flow and redirects them into the cooling water circuit.

2H Drift Eliminators are available in two different types. The profile (TAP 160) is mostly used in larger, the module types (TEP 130 and TEC 130) in smaller cooling towers.

Features of our Drift Eliminators

- High separation efficiency due to product design
- Low pressure drop
- Flexibility in dimensions: adaptable to plant requirements according to customer request
- Quick and economical installation

2H drift eliminators reduce water loss and emissions. The chemical and UV resistance of the PP and PVC material ensures a long service life. 2H drift eliminators types TEP 130 and TAP 160 are made of PP which remains stable and maintains its shape even under high temperatures. The certification by EUROVENT, an independent inspection authority, proves the high efficiency of 2H drift eliminators.



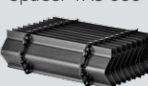
Technical Data			
	2H TEP 130 PP	2H TEC 130 PVC	2H TAP 160 PP**
Maximum length	96"		236"
Maximum width	27.5"	39"	13"
Height	5/10"		6.3"
Continuous operating temperature	-4 – 158 °F	32 – 131 °F	-4 – 158 °F
Max. operating temp. (short time)*	176 °F	140 °F	176 °F

Maximum tolerances:

On all dimensions +/- 3/4" or 2 % whichever is the greater. Other tolerances and dimensions by prior agreement.

*High temperature applications: Drift eliminators in high temperature version in PVC (up to 158 °F) and PP (up to 203 °F) available on request. Support distance should be decreased at higher service temperatures.

** PVC available on request.

Types								
Application	Type	Material	Drift loss*	Max. face velocity	Drag coefficient	Pitch	Max. distance between supports	Additional information
			%	m/s		mm	inch	
Small or medium sized cooling towers	Module type 2H TEP 130 	PP	0.0005	4.5	2.2	18	39	Special Design: TEP 130 with additional stiffeners
Small or medium sized cooling towers	Module type 2H TEC 130 	PVC	0.0005	4.5	2.2	18	39	Spezial Design: TEC 130 with additional stiffeners
Large site erected cooling towers	Profile TAP 160 with Spacer TAS 033 	PP	0.001	4.0	2.6	33 / 38	47	Thickness: 2 mm (+/- 0.2 mm) Spacer: TAS 033 (with 33 mm / 10 profiles per spacer) TAS 738 (with 38 mm / 7 profiles per spacer)

*These values base on the CTI ATC-140 test method (Isokinetic Drift Test Code) and EUROVENT standard OM-14-2009 and are to be understood as guideline values only. The performance of the drift eliminator is indicated by the ratio drift loss/water flow rate (in % of the circulating water volume). These guideline values base on measurements with a rain density of 20 m³/m²h and an approximate medium air velocity of 3 m/s. To achieve these values, an absolutely tight assembly of drift eliminator elements to each other, to the housing wall and to any openings is required. The face velocity must not be exceeded at any point of the drift eliminator.



Flammability: Products in flame retardant version according to American and European standards available on request. National regulations on fire protection should be taken into consideration before choosing a product.

Support structure: Recommendation for optimum solution for each application available on request.

This information has been put together with greatest care. However, any performance data given in this leaflet is subject to compliance with certain surrounding conditions and hence may vary from case to case. Further, we reserve the right to make changes at any time without notice. We strongly recommend (i) reconfirmation with us whether this information is still fully valid, before using it for final designs and (ii) to verify performance data taking into account the actual surrounding conditions. We do not take any responsibility for any consequences due to non-compliance with these recommendations.



ENEXIO Water Technologies, Germany, is ISO 9001:2008 certified.

ENEXIO Water Technologies GmbH
2H Components and Solutions
Dieselweg 5, 48493 Wettringen, Germany
Phone +49 25 57 / 93 90 0, Fax +49 25 57 / 93 90 49
2h.germany@enexio.com
www.enexio.com

ENEXIO US LLC
2H Components and Solutions
10565 Greens Crossing Blvd, Suite 102
Houston, Texas 77038, USA
Phone +1-281-227-7900, Fax +1-281-929-0701
2h.americas@enexio.com
www.enexio.com

